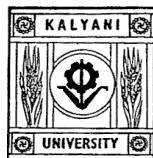


UNIVERSITY OF KALYANI



CENTRE FOR INFORMATION RESOURCE MANAGEMENT(CIRM)

NOTICE INVITING E-TENDER

NIT ID showing at <http://wbtenders.gov.in>: 2024_UOK_782941_1

Tender Ref. No.: KU/NIET/CSE/LAN/2024-25/02

Dated: 11/12/2024

Online E-Tender is invited for the **Renovation of LAN to the Computer Science and Engineering, University of Kalyani** by the eligible venders. Interested venders may follow the instructions as given below for submission of their tenders under online mode:

| Sl.No. | Item |
|--|---|
| 1 | 24-Port Gigabit Ethernet Managed layer 2 Switch |
| Physical Characteristics and Architecture Requirements | The switch should be 1U 19" Rack Mountable, mounting kit should be included, The switch should have minimum 24 Port Gigabit (10/100/1000 Mbps) Switch and 4 x 1G SFP Uplink ports. The switch should have dedicated console port, Switch should have integrated trusted platform module (TPM) or equivalent for platform integrity to ensure the boot process is from trusted source |
| Performance Requirements | The switch should have minimum 4GB DRAM, 8GB eMMC/Flash Memory and 4MB packet buffer, The proposed switch should have minimum 56 Gbps switching capacity , The switch should have minimum 8,000 MAC Address Table size, The switch should support minimum 500 IPv4/v6 routes and 256 IPv4 ACLs and 128 IPv6 ACLs |
| Layer-2, QoS and Security Features | The switch should support Spanning Tree Protocol (STP/RSTP/MSTP),LACP,Voice VLAN, The switch should support IEEE 802.1Q VLANs (500 active VLANs) and MVRP or equivalent for automatic learning and dynamic assignment of VLANs, The switch should support Strict priority (SP) queuing, Traffic prioritization (IEEE 802.1p) for real-time classification,Class of Service (CoS) sets the IEEE 802.1p priority tag based on IP address, IP Type of Service (ToS), Layer 3 protocol, TCP/UDP port number, source port, and DiffServ The switch should support Access control lists (ACLs) for both IPv4 and IPv6 traffic.IPv6 ACL/QoS supports ACL and QoS for IPv6 network traffic The switch should support concurrent IEEE 802.1X, Web, and MAC authentication schemes per switch port, up to 30 sessions of IEEE 802.1X, Web, and MAC authentications The switch should support Control Plane Policing, STP BPDU port protection,DHCP (snooping) protection, dynamic ARP protection and port security. |
| Layer-3 Routing and Services Features from day-1 | The switch should support IPv4 and IPv6 Static Routing |
| Management Features | The switch should support SNMP and Remote monitoring (RMON), The switch should support sFlow or equivalent for traffic analysis.The switch should support Port mirroring The switch should support REST APIs or equivalent The switch should support TACACS+ and RADIUS The switch should have Command Line Interface (CLI) with a hierarchical structure and SSH, Secure FTP/TFTP support The switch should support Network Time Protocol (NTP) or SNTP |

| | |
|---|---|
| Certifications and Industry Recognition | The switch should have RoHS compliance, The switch should have safety/emissions certifications including IEC/EN 62368, EN 55035, VCCI Class A or equivalent |
|---|---|

| Sl. No. | Item | Description | Quantity |
|---------|----------------|---|----------|
| 2 | Trans receiver | 1G Single Mode SFP+ Module(6nos.) & 1G Multi Mode SFP+ Module(2 nos.) compatible with Switch | 8 Nos. |
| 3 | Wi-Fi Device | Indoor Access Point | 7 Nos. |
| | | Access Point radio should be minimum 2x2 MIMO with 2 spacialstreams.The AP should have Dual Radio 802.11ax access point with OFDMA and Multi-User MIMO (MU-MIMO) | |
| | | AP should have one 10/100/1000 Mbps speed LAN port and Auto-sensing link speed | |
| | | Access point should support Built-in technology that resolves sticky client issues for Wi-Fi 6 and Wi-Fi 5 devices | |
| | | Access point should have in-built Bluetooth 5 and Zigbee support | |
| | | Access point should have 1.7 Gbps aggregate data rates | |
| | | Access Point can have integrated internal/external antenna;Should have peak antenna gain of 4.9dBi in 2.4GHz and 5.7dBi in 5GHz | |
| | | Access point should have Internal Bluetooth Low energy beacon to support advance location based serivces for Mobile engagement solutions and Applications. | |
| | | Should support 16x BSSID per AP radio. | |
| | | The access point should be capable of performing security scanning and serving clients on the same radio. It should be also capable of performing spectrum analysis and security scanning using same radio. | |
| | | Access point should support 802.3af/at POE standard. | |
| | | Access point should have option of external power adaptor as well.Should have factory reset button and dedicated console port | |
| | | AP model proposed must be able to be both a client-serving AP and a monitor-only AP for Intrusion Prevention services | |
| | | Access point must incorporate radio resource management for power, channel, coverage hole detection and performance optimization | |
| | | The AP should support Advanced Cellular Coexistence (ACC) to minimizes interference from 3G/4G cellular networks, distributed antenna systems and commercial small cell/femtocell equipment | |
| | | The AP should support supports priority handling and policy enforcement for unified communication apps, including Skype for Business with encrypted video conferencing, voice | |
| | | AP should support standalone mode/ Inbuilt Virtual controller mode for specific requirements.The same AP can be manage through cloud. | |
| | | AP should be provided with proper mounting kit | |
| | | The Access point should support Transmit beam-forming (TxBF) for increased signal reliability and range | |
| | | The Access point should support 802.11ax Target Wait Time (TWT) to support low-power client devices | |

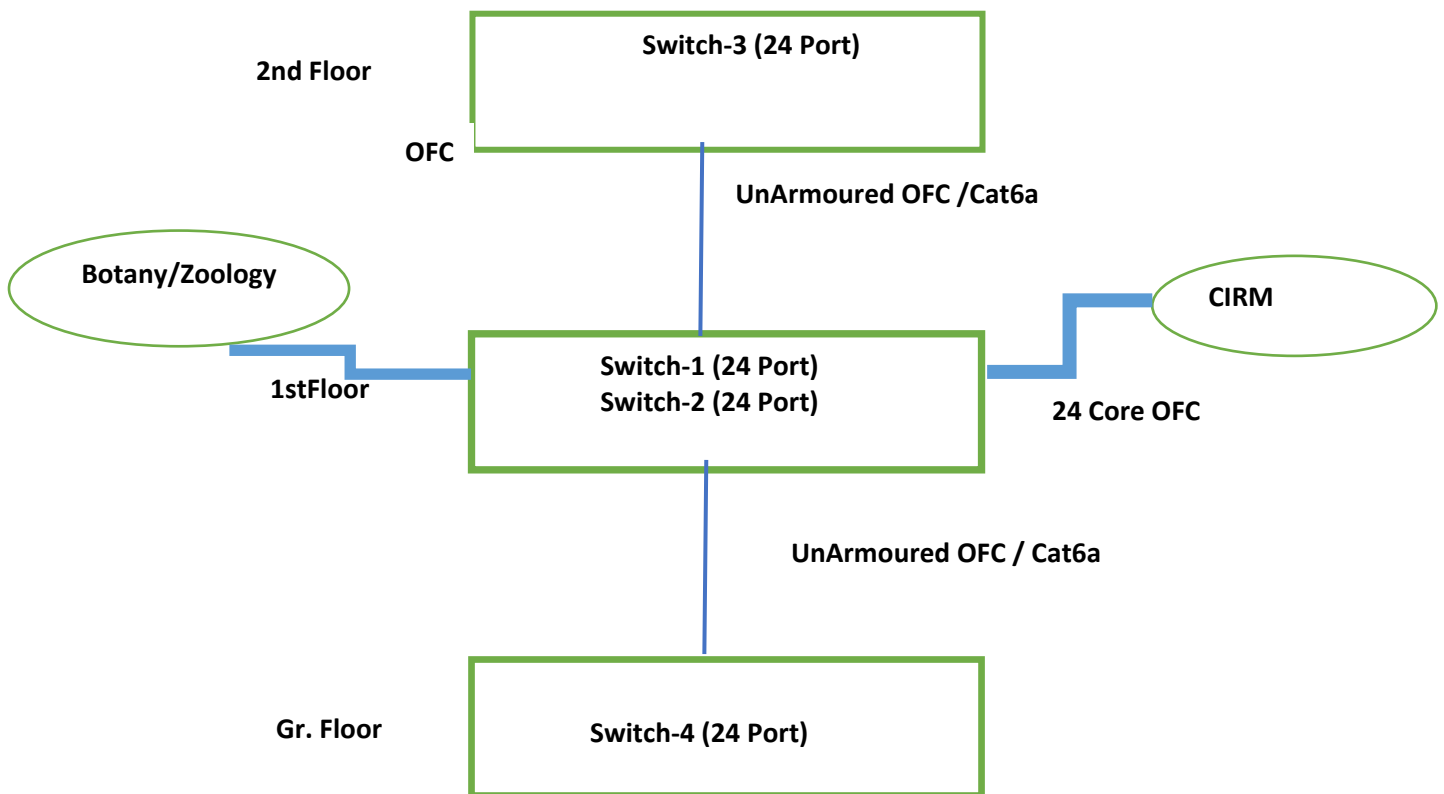
| | | | |
|---|--------------|---|--------------------------|
| | | <p>Regulatory Compliance FCC/ISED CE Marked RED Directive 2014/53/EU EMC Directive 2014/30/EU Low Voltage Directive 2014/35/EU EN 60601-1-1, EN60601-1-2</p> <p>Certifications UL2043 plenum rating Wi-Fi Alliance: - Wi-Fi CERTIFIED a, b, g, n, ac - Wi-Fi CERTIFIED 6 (ax) - WPA, WPA2 and WPA3 - WMM - Passpoint (release 2)</p> <p>Should support 0-50 degree operating temperature</p> | |
| 4 | Network Rack | <p>19" 12U/ 550mmW / 450mmD Loaded Rack CKD (1XFAN 230VAC 90 cfm +1XPDU 6sockets + 1XCable Manager 1U+ 1XHardware)</p> | 3 Nos. |
| 5 | OFC Cable | <p>Cable Type-6 Core fiber Cable, Single Mode OS2 Type, Armoured, Double Sheathed Gel filled cable complying to ISO.IEC 11801 - 2nd Edition, type OS1; AS/ACIF S008; AS/NZS 3080, EIA/TIA 568- C.3.;ITU-T REC G 652D spec, complied for Low Water Peak fibre suitable for use in direct burial and IEC 60793/60794-1-2, outdoor ducts and backbone cabling</p> <p>Armour-Corrugated Steel Tape Armour -Thickness > 0.15mm</p> <p>Water Blocking-Thixotropic Gel (Tube), Petroleum Jelly (Interstices)</p> <p>Attenuation- ,@ 1310nm <=0.35 db/Km MAX ,@1550nm <=0.22 db/Km MAX</p> <p>Loose tube diameter- 2.0mm (nominal) - PBTP</p> <p>Inner Sheath thickness- 1.1 mm(nom)</p> <p>Outer Sheath- UV proof HDPE Black (1.8 mm Nominal Thickness)</p> <p>Core/Mode-Field (um)- 9 ± 0.4 µm</p> <p>Clad Diameter (um)- 125 ± 1</p> <p>Coat Diameter-245 ± 10</p> <p>Loose tube material-Single PBTP Loose tube filled with water blocking Thixotropic gel</p> <p>Jacket material-UV Stabilised Polyethylene (HDPE)</p> <p>Central Strength Member-Non Metallic (FRP)</p> <p>Max. Tensile Strength:- 3500N</p> <p>Maximum Crush Resistance-6000N/10 mm</p> <p>Cable Diameter-13.5±1.0 mm</p> <p>Max. Bending Radius (during installation)-20D</p> <p>Fibre Identification-Colour coded</p> <p>Cable weight Kg/Km-175-185± 10%kg/km</p> <p>Operating Temperature-.-40 Degree C to +70 Degree C</p> | 160 Mtr.(App rox.) |
| 6 | Pigtail | <p>SC, Singlemode, 9/125 µm - 1.5 mtrs(8Nos) and SC, Multimode, 9/125 µm - 1.5 mtrs (4Nos)</p> | 12 Nos. |
| 7 | LIU Unloaded | <p>Fiber Management Shelf-Configurable Fibre drawer is a 1U rack mount unit for storing and terminating incoming fibre cable. Using our vast range of 6 Pak Plates you can configure your fibre system to suit all fibre applications.</p> | 3 Nos. |

| | | | |
|----|-----------------------------|---|---------|
| | | Configurable. Fits up to four 6 Pak Plates/ Angled 6 Pak plates | |
| | | Management rings within system to accommodate excess fibre cordage behind the trough adapters and maintain fibre bend radius | |
| | | Sliding drawer for ease of reconfiguring fibres | |
| | | Rugged steel construction finished in attractive | |
| | | Accommodates 2 x 12 fibre Splice Trays | |
| | | Compact size (mm) -45mm H x 485mm W x 255mm D | |
| 8 | Optical Fibre Adapter Plate | ADAPTOR SC SM Simplex (08) & ADAPTOR SC MM Simplex (04) | 12 Nos. |
| 9 | Adaptor Pannel | 1 x 6 Adapter Panel - SC | 6 Nos. |
| 10 | OFC Patch Cord | Type-SC to LC Duplex tuned Fiber Optic Patch Cord 3 Mtr, 9/125 Micron | 7 Nos. |
| | | Cable Sheath-LSZH | |
| | | Cable Diameter- 1.8 mm twin zip | |
| | | Ferrule -Ceramic | |
| | | Buffer - Tight buffered | |
| | | Insertion Loss -MAX .3 db | |
| | | Return Loss- > 45 db | |
| | | Temperature Range - .-10 Degree C to +60 Degree C | |
| | | ROHS-ROHS Compliant | |
| 11 | UTP Patch Pannel | Type- 19" 24-port, loaded with Jack , A key product used in both Category 6 link and channel gigabit ethernet applications. The IDC section consists of V-shaped contacts that flex not fatigue when terminated. Each port should have shutter and can be colour coded to match jack outlets. Offering both front and rear labelling options, the patch panel is constructed of cold-rolled steel for additional strength and durability. | 4 Nos. |
| | | Ports-24 | |
| | | Plastic Housing Jack Connector- Polycarbonate, UL94V-0 rated or equivalent | |
| | | Contact Plating-50µ" Gold/100µ" Nickel | |
| | | Front Connector interface-RJ45 | |
| | | Circuit Identification Scheme-Icons on each of 24-ports | |
| | | Height 1 U- (1.75 inches) | |
| | | ROHS/ELV -Compliant | |
| 12 | UTP Patch Cord | Cat 6 U/UTP Patch Cords are key components of Cat 6 U/UTP End-to-End Solution and are designed to support data networks for 10/100BASE-T and 1000BASE-T applications. It should be available in 8 different colors. | 35 Nos. |
| | | Conductor-24 AWG stranded copper wire | |
| | | 2 Meters | |
| | | RJ45 plug and boot material-Clear polycarbonate | |
| | | Outer Sheath-LS0H | |
| | | RJ45 plug dimensions compliant with-ISO/IEC 60603-7-4 and FCC 47 Part 68 | |
| | | Contact material- 0.35mm thick copper alloy | |
| | | MIN operating life- 750 insertion cycles | |
| | | Sheath Material- LSZH | |
| | | ROHS/ELV -Compliant | |
| 13 | UTP Patch Cord | Cat 6 U/UTP Patch Cords are key components of Cat 6 U/UTP End-to-End Solution and are designed to support data networks for 10/100BASE-T and 1000BASE-T applications. It should be available | 72 |

| | | | |
|----|--|---|---------|
| | | in 8 different colors. | |
| | | Conductor-24 AWG stranded copper wire | |
| | | 1 Meters | |
| | | RJ45 plug and boot material-Clear polycarbonate | |
| | | Outer Sheath-LS0H | |
| | | RJ45 plug dimensions compliant with-ISO/IEC 60603-7-4 and FCC 47 Part 68 | |
| | | Contact material- 0.35mm thick copper alloy | |
| | | MIN operating life- 750 insertion cycles | |
| | | Sheath Material- LSZH | |
| | | ROHS/ELV -Compliant | |
| 14 | I/O Set 1 Port with Faceplate and Back Box | Cat 6 Jack is designed to maintain clean secure connections. PCB based Information outlet design type/technology which protects it from dust and containments. Should have integrated bend limiting and strain relief unit for cable entry. | 35 Nos. |
| | | Wire terminal- 200 termination cycles | |
| | | Modular Jack -750 mating cycles | |
| | | Plastic Housing- Polycarbonate, UL94V-0 rated or equivalent | |
| | | IDC Contact Plating- Tin/Lead Plate | |
| | | Faceplate - Square Plate with 1/2/4 port. 86 x 86 mm | |
| | | ROHS/ELV-Compliant | |
| 15 | UTP CABLE Cat-6 | Type-Category 6 Unshielded Twisted Pair 4 pair cable shall be compliant with ANSI/TIA/EIA-568C.2. Additional Transmission Performance Specifications for 4-pair Category 6 Cabling. | 3 Box's |
| | | Type-Category 6 UTP cables shall extend between the work area location and its associated telecommunications closet and consist of 4 pair, 23 AWG, UTP. | |
| | | Supports ultrahigh speed data networks such as Gigabit Ethernet (1000 Base-T and 1000 Base-TX) and beyond. | |
| | | The cable jacket shall be LSZH and LSZH sheath should Complying to: a. Fire rating IEC 60332-1, b. Acid gas IEC 60754-2 c. Smoke density IEC 61034-2 | |
| | | Incorporates central spine maintaining pair separation during installation to ensure premium performance after installation. | |
| | | Mechanical Characteristics- Construction: 4 twisted pairs separated by internal X shaped, 4 channel, polymer spine / full separator. Half shall not be accepted. Conductor Solid Copper Conductor Diameter 0.56±0.005mm (23 AWG) Insulator Polyolefin Outer Diameter 6.0±0.4mm Max. Temperature 70°C | |
| | | ROHS/ELV-Compliant | |
| | | ETL Test Report @700 MHz-Cable should have test by ETL / Intertek @700 MHz and test report should be subbmitted. | |
| 16 | RJ-45 CONNECTOR | Cat 6 UTP RJ-45 Connector | 1 Box |
| 17 | UPS | 600VA UPS with all accessories with 2 years warranty | 3 Nos. |

| | | | |
|----|--|--|---|
| 18 | OFC Patch Cord | SC-LC MM Duplex FO Patch Cord 1M | 2 Nos. |
| 19 | CABLE LAYING through Trunking PVC Casing Capping | Structured cabling through PVC Trunking wiring. OFC & UTP Cable Laying with existing LAN cable (ISI Mark PVC Trunking Casing Capping approved under the IS :14927 Part 2BIS Standard) | 1000 Meter UTP (Approx.) 160 Meter OFC (Approx.) |
| 20 | INTEGRATION & INSTALLATION | I/O Impacting, Switch, Rack Fixing, LIU, Patch Panel , OFC Splicing, Screw, Tag, Marker , and I/O Box etc. including all necessary components ,Dismantling (if require) , Layout Document Diagram | LUMPS UM |

DESIGN DIAGRAM



Dates & Information:

| Sl.No. | Activities | Date & Time |
|--------|---|--|
| 1 | Date of uploading of N.I.T. Documents in the e-tender portal of NIC : https://wbtenders.gov.in | 11 th December, 2024 |
| 2 | Documents download (online) | 11 th December, 2024 (from 16.00 p.m.) |
| 3 | Bid Submission Start Date(on line) | 11 th December, 2024 (from 16.00 p.m.) |
| 4 | Bid Submission Closing Date (Online) | 24 th December, 2024 (up to 15.00 p.m.) |
| 5 | Bid Opening Date (Online) – Technical Bid | 26 th December, 2024 (from 15.00 p.m.) |
| 6 | Date of uploading list for technically qualified bidder (online) | To be notified |
| 7 | Date of opening of Financial Bid | To be notified |
| 8 | Date of uploading of list of bidders along with the approved Rate | To be notified |

1. General Instructions:

In the event of e-tendering, intending bidder may download the tender documents from the website: <http://wbtenders.gov.in> directly with the help of Digital Signature Certificate (DSC) or from the University of Kalyani's website www.klyuniv.ac.in.

2. Submission of bids:

Both Technical bid and Financial Bid are to be submitted concurrently duly digitally signed by the Company personnel who is in the pay roll of the Company (having Authorization from the Company management) in the website <http://wbtenders.gov.in>. All papers must be submitted in English language.

3. Time Schedules for the e-tender:

The Time Schedule for obtaining the Bid Documents, Pre Bid meetings, the submission of bids and other documents etc. will be as per information provided in the tender.

4. Eligibility for Quoting:

Manufacturers or Dealers/Distributors/Agents duly authorised by the manufacturers who are able to supply the assured quantities as per requirement & have requisite qualification for meeting the requirements as per this tender are only eligible for quoting.

Further, vendors who were declared black listed and/or insolvent by any Govt. Concern/any Institutions in the Country for particular item or items are not eligible to participate in the current tender for that item or items.

5. Annual Turnover Requirements:

Bidder should have at least an average annual Turn Over for last three financial years of Rs.30 Lakh in India for the year 2020-21, 2021-22 and 2022-23.

6. Submission of Tenders

6.1 General process of submission

Tenders are to be submitted online through the website stated in Clause 1. All the documents uploaded by the Tender Inviting Authority form an integral part of the contract. Tenderers are required to upload all the tender documents along with the other documents, as asked for

in the tender, through the above website within the stipulated date and time as given in the Tender. Tenders are to be submitted in two folders at a time, one is Technical Bid and the other is Financial Bid. The tenderer shall carefully go through the documents and prepare the required documents and upload the scanned documents of originals in Portable Document Format (PDF) to the portal in the designated locations/folders of Technical Bid. He needs to fill up the BOQ in the designated cell and upload the same in designated location of Financial Bid. The documents uploaded are virus scanned and digitally signed using the Digital Signature Certificate (DSC). Tenderers should specially take note of all the addendum/corrigendum related to the tender till the bid submission ends. Tenderers should in general upload the latest documents as part of the tender, however, in case of failure in uploading such documents, it will be deemed that they (tenderers) have taken note of such latest documents including addendum/corrigendum, if published till the bid submission ends.

6.2 Technical Bid

The Technical Bid should contain scanned copies and/or declarations in the following standardised formats in two covers (folders):

I. Technical File (Statutory Cover) containing:

1. Annexure –

- a) Basic Information (Vide Annexure I) *(to be submitted in “Annexure” folder)*
 - b) Application for Tender - (Vide Annexure II) *(to be submitted in “Annexure” folder)*
 - c) Authorization letter - (Vide Annexure III) *(to be submitted in “Annexure” folder)*
 - d) Affidavit Proforma - (Vide Annexure IV) *(to be submitted in “Annexure” folder)*
 - e) DECLARATION ON NIT - (Vide Annexure V) *(to be submitted in “Annexure” folder)*
2. Technical details of the Items Quoted (Bidders must submit Technical specification along with Catalogue of the item quoted in **“Technical Details”** Folders.
 3. Audited Annual Accounts for last three years **2020-21, 2021-22 and 2022-23** or during the period since formation of the Firm, if it was set up in less than such 3-year period. **(to be submitted in “Accounts” folder)**

II. My Document (Non-Statutory Cover) containing as follows:

| Sl.No. | Category | Sub-Category | Sub-Category Description |
|--------|-----------------|-------------------|--|
| 1 | Certificates | Certificates | PAN Card of the Bidder |
| | | | GST Registration Certificate |
| | | | Enrolment Certificate issued by Profession Tax Authority |
| | | | ISO Certificate |
| 2 | Company Details | Company Details 1 | Trade Licence/Enlistment Certificate |
| | | | Registration with Registrar of Companies |
| | | | Memorandum of Articles for Limited Companies. |
| 3 | Credential | Credential 1 | a) Copy of the purchase order for supplying Similar nature of items at least for last 3 years 2020-21,2021-22 |

| | | | |
|---|-----------------------|--------------------------|---|
| | | | & 2022-23 b) Brief User List preferably for users in West Bengal in an Institute of Higher Learning |
| 4 | Financial Information | Payment Certificate 1 | Income Tax Returns submitted for the Assessment year 2021-22 |
| | | | Income Tax Returns submitted for the Assessment year 2022-23 |
| | | | Income Tax Returns submitted for the Assessment year 2023-24 |
| | | | GST Return for January 2024, February 2024 and March 2024 |

NOTE:

1. If the company was set up less than three years ago, audited balance sheet for the no. of years since inception may be submitted)
2. Addenda/Corrigenda: if published, Contractors are to keep track of all the Addendum/Corrigendum issued with a particular NIT till the bid submission ends and in general upload the downloaded copies of the above documents and merge the Addenda/Corrigenda with respective NIT in the NIT folder. , however, in case of failure in uploading such documents, it will be deemed that they (tenderers) have taken note of such latest documents including addendum/corrigendum, if published till the bid submission ends, overriding any other terms/conditions if mentioned anywhere else in the concerned NIT.
3. Bidder must submit their documents through the appropriate folders as stated above. Submission of document not through proper folder(s) may be considered as non-submission. If University fails to identify the document because of such wrong submission or due to submission of documents not readable visibly or for any technical issue like not opening the files etc., it would be deemed that the bidder did not submit that particular document(s).
4. Others: Any other documents found necessary

6.3 Financial Bid

The Financial Bid should contain the following document in one cover (folder):

Bill of Quantities (BOQ): The tenderer should fill-up the designated cell as marked by the University in the BOQ sheet.

7. The tenderers are not required to submit hard copies of Technical File (Statutory) or My documents (Non-Statutory). Submission of hard copy of Financial Bid is strictly prohibited and only be submitted through on line through NIC portal.

8. Evaluation of the tenders

During the tender evaluation process, the “Technical Bid” will be opened first. Those Bidders who have qualified in respect of the essential & other requirements in “Technical Bid” will be identified and their financial bid will be opened. The financial bid of those Tenderer failing to meet the technical & other requirements laid down in the tender will not be opened and be rejected. The Tenderer offering the item found suitable and as per the tender specifications will only be selected. **Final selection of the bidder in respect of Financial Bid is subject to further verification of several parameters allied with Financial Bid Evaluation.** The Financial Bids of only those tenderers who have been considered as Technic/ally Qualified will be opened.

9. Bidder must have adequate infrastructure to resolve any kind of LAN related problems.

10. TERMS & CONDITIONS REGARDING PURCHASE POLICY OF TENDERING AUTHORITY:

10.1 Bid Information:

- a) **Bidder must quote in INR in the BOQ Sheet.**
- b) The rate quoted by the bidder shall be fixed for the duration of the contract and shall not be subject to adjustment on any account.
- c) **Bidder must follow the instruction for filling up BOQ as per Clause 6.3.**
- d) **Bidder must quote for all the items. Partial Quotation/Incomplete Quotation both for Technical and Commercial aspects may subject to cancellation of tender. However, University Authority is the sole authority to assess the Partial Quotation/Incomplete Quotation based on the tender evaluation status.**

10.2 **Evaluation of Quotation:** The Purchaser will evaluate and compare the quotations determined to be substantially responsive stage wise. Firstly, Technical Bid will be evaluated and thereafter Price Bid for technically qualified bidders will be evaluated for selection of vendor.

10.3 **Award of Contract:** The purchaser will award the contract to the bidder whose quotation has been determined to be substantially responsive both technically and commercially for both the equipments. Purchaser reserves the right to reject any or all the tender, wholly or partly, without assigning any reason thereof and shall not be bound to accept the lowest bid.

10.4 University enjoys the discretion to select vendor either in full or in part (item wise) for the betterment for pursuing of tender objectives.

10.5 **Warranty:** The equipment's covered under the purchase order, when installed, shall be warranted for the quality, workmanship, trouble free operation and performance for a period as stated in the technical specification from the date of putting the system into operation at the Composite Building, University of Kalyani. Warranty certificate of quoted product must be given in OEM letterhead from regional office.

10.6 **Adequate support service facility:** The bidder/manufacture should have adequate service and accessories support center in Kolkata/Kalyani or around 80 KM distance from University premises for any emergency breakdown/fault offering facility within 48 hours and should be agreeable to provide AMC facility after the warranty period.

10.7 Bidder must provide Technical Compliance Sheet as per the Tender Specification. Any non-compliance will lead to rejection of tender.

10.8 **Manufacturer's Authorisation:** Document in support of Manufacturer/Dealer and Service Provider has to be submitted along with the tender paper. If the bidder is not the manufacturer, proper manufacturer's authorization and warranty from manufacturer is required and in this case bidder should have full-fledged registered office in India. **All components shall be ROHS compliant. All Components should be from single OEM. The OEM should be member of Telecommunication Industry Association. Passive OEM should be in India for more than 30 years. Tender specific authorization letter should be submitted along with bid.**

10.9 Bidder should submit copy of updated Trade License, GST, IT and P. Tax Return submission document.

10.10 **Credentials:** Documents of supplying similar items in last 3 years (2020-21,2021-22 & 2022-23) in an Institute of Higher Learning must be submitted along with the tender. Bidder

must submit User List with copy of Purchase Order ensuring sale of similar items at least for five times in last three years in an Institute of Higher Learning.

10.11 Statutory deduction for GST and other Government taxes will be made as per the law inforce

10.12 Make & Model: Bidder must mention Make and Model in the Information Sheet as given vide Annexure-I and must send the product details/catalogue/brochure in the “**Technical Details**” folder along with Technical Compliance Sheet for each item component.

10.13 Time Schedule: The supply work must be completed within **30 days** from the date of receipt of the work order.

10.14 Validity of offer: A bidder should spell out in the tender that it shall remain valid for a minimum period of three months from the date of opening of the tender and during this period, the bidder shall not have been titled to revoke or cancel its offer.

10.15 After Sales Service

(i) The name and complete address of the company in India authorized by the manufacturer, to provide after sales service for the equipment should be mentioned. The appointed authorized service provider should be holding a valid certificate from the manufacturer to this effect.

(ii) The manufacturer should give an undertaking that after the warranty period, they shall provide spares and after sale service of the equipment in India for the normal life time of the equipment.

10.16 University reserves the discretion to issue work order either in full or phase wise depending upon the requirement and selected vendor will not charge any extra amount for such supply and delivery.

10.17 Place of Work: Computer Science and Engineering Building, University of Kalyani, Kalyani -741235.

10.18 Payment Schedule: Payment be made after successful delivery and installation of the items.

10.19 Performance Security:

Successful bidder should deposit Performance Security money equivalent to the 3% of the order value in the form of DD/suitable negotiable instruments as to be decided by the University immediately after issuing purchase order from the University. Such security will be refunded after completion of the warranty period in normal case without any accrued interest. In absence of any such deposit, equivalent sum will be deducted by the University from the Bill amount at the time of releasing payment to the vender. However, University may forfeit the Security Money in the event of the following circumstances:

- i) Selected bidder withdraws the bid before expiry of its validity but after receipt of the Purchase Order.
- ii) Selected bidder does not accept the order after issuing the same or fails to enter into a contract within validity period of offer.
- iii) Selected bidder fails to supply the items within the scheduled time as specified in the Purchase Order

- iv) If before expiry of the warranty period, the supplied items break down or do not function satisfactorily due to the cause related with the item itself or for its installation and not for any reason caused by the University Authority and the supplier denies to take the responsibility to make the supplied items in order.
- v) In case of any false submission/statement by the bidder
- vi) In case of any refusal to abide by terms and conditions or refusal to enter into a written agreement as per prefixed terms and conditions

10.20 Quantity Changeability: Quantity as stated in the tender document may subject to change at the time of issuing purchase order due to the fund crunch or for other valid reasons.

10.21 Requisite Documents to be submitted: Bidder must have adequate documents relating to Trade License and updated returns for Income Tax, GST, Audited Statement of Accounts and other documents.

10.22 Instruction Made with Item Specification: Bidder must comply the instructions as provided with Item Specification.

10.23 Disposal of Disputes: In case of any dispute, the University's decision will be treated as the final and conclusive. All legal actions are subject to Kolkata jurisdiction only.

10.24 Conditional bid may be liable for rejection.

10.25 OEM must be ISO 9001 and 14001 certified. Copy of Valid Certificate submitted.

10.26 The supplied items are preferred to be manufactured in 2024. If the supplied items are older than 1 year, vender must provide 2 years' additional onsite warranty with free of cost over and above OEM onsite warranty. Under no circumstances, items manufactured in 2022 or earlier will be accepted by the University. If it is noticed by the University regarding the manufacture of the supplied items in 2021 or its earlier, University may impose a penalty to the tune of 50% or more from the Bill Amount or take any other decision as to be deemed fit by the University and vender must accept the same as the final decision from the end of the University.

10.27 Conflict of Interest: Not more than one tender shall be submitted by one tenderer or tenderers having relationship. Under no circumstances will father and son(s) or other close relations who have business relationship with one another (i.e. when one or more partner(s)/director(s) are common) be allowed to tender for the same contract as separate competitors. A breach of this condition will render the tenders of both parties liable for rejection.

10.28 In case of Tie Bid arising after opening of price bid, University will follow the guideline as mentioned in the G.O. No. 2320-F(Y) dated 7/6/2022 issued by the Finance Department, Government of West Bengal.

11. Discretion of the University:

(i) University may take decision about non-purchase of the said item even after selection of vendor due to its fund constraints.

(ii) University may seek documents from the bidder in addition to the scanned documents sent by the mat the time of uploading technical bid for verification and

evaluation of tender.

(iii) For any false/unethical/illogical/unreasonable bid, University reserves the right to cancel the bid even after opening of Price Bid.

(iii) University reserves the right to relax any clause as stated herein above for selection of responsive vender.

(iv) In case of incomplete work on the part of the bidder due to the reason not caused for University administration, bidder should solely be liable for consequences due to delay in completion of the work. Abnormal delay will cause penalty @ 10% on the value of work certified by the University if the work is actually completed. Otherwise, the cost for completion of the work by another vendor will be deducted from the payable amount of the bidder along with penalty charges @ 10% of the value of work certified by the University for the incomplete work will be applicable.

12. Opening the financial bid as per schedule will BE NOTIFIED LATER ON.

Financial bid can be seen & accessed by the bidder through the NIC Portal online after opening of financial bid on line. No objections raised by any Bidder in this respect will be entertained by the University. No informal tender will be entertained in the Bid further.

13. During the scrutiny, if it comes to the notice to tender inviting authority that the credential or any other paper found incorrect/ manufactured/ fabricated, that bidder would not allowed to participate in the tender and that application will be rejected outright without any prejudice.

14. The Tender Selection Committee reserves to right to cancel the N.I.T. due to unavoidable Circumstances and no claim in this respect will be entertained.

Annexure I

FURNISHING BASIC INFORMATION

(To be furnished in the Company's official letter pad)

| | | |
|----|--|--|
| 1. | Name of the Bidder | |
| 2 | Address for Communication | |
| 3 | Contact Number(s) | |
| 4 | E-mail ID | |
| 5 | Trade License No. (Please enclose copy of Trade License) | |
| 6 | PAN(Please enclose copy of PAN Card) | |
| 7 | GST No.(Please enclose copy of GST) | |
| 8 | Do you have previous experience for supplying similar nature of Items at Educational Institute of Higher Learning (Please enclose copy of Purchase order & user list, if yes) | Yes/No (Please put tick mark) |
| 9 | Annual Turnover as per Audited P/L ACCOUNTS & BALANCE SHEET | 2020-21: Rs..... 2021-22: Rs..... 2022-23: Rs..... Average Annual Turnover: Rs..... |
| 10 | Status of the bidder(Please enclose copy authenticating your status) | Manufacturer/Dealer/Distributor/Selling Agent/Stockiest (Please put tick mark) |

I hereby declare that the above information is true and correct to the best of my knowledge and belief. In case of any false/wrong/misleading information, I shall be bound to take the decision taken by the University.

**Signature of the Bidder
(With Seal)**

Annexure II
APPLICATION FOR TENDER

(To be furnished in the Company's official letter pad with full address and contact no, E mail address etc)

To
The System-in-Charge
CIRM
University of Kalyani,
Kalyani-741235,
Nadia, West Bengal

**Sub: Renovation of LAN to the Computer Science and Engineering,
University of Kalyani.**

Ref: - KU/NIET/CSE/LAN/2024-25/02 dated: 11/12/2024

Sir,

Having examined the pre-qualification & other documents published in the N.I.T, I /we hereby submit all the necessary information and relevant documents for evaluation:

1. That the application is made by me / us on behalf ofin the capacity duly authorized to submit the offer. The authorization letter from the Company is attached in Annexure II.
2. We accept the terms and conditions as laid down in the tender document vide **Clause 9** and declare that we shall abide by it throughout the tender period including its extensions, if any.
3. We have gone through the Tender Document thoroughly and quoted the tendered items keeping in mind all sorts of information as furnished in the tender document including Corrigendum/Addendum as published from time to time
4. We are offering rate for the following item /items with manufacturing capacity and assured supply to the University of Kalyani

| Sl. No. | Description of Items | Make | Model No. | Quantity | Offer Validity | Mode of Transport (AIR/RAILWAY/SHIP/ROAD) | Type of Delivery(CIP Kolkata/FOB Kolkata/Delivery) |
|---------|----------------------|------|-----------|----------|----------------|---|--|
| | | | | | | | |
| | | | | | | | |
| | | | | | | | |
| | | | | | | | |
| | | | | | | | |

5. In the event of being selected, I will make the supply within the stipulated period excepting the condition which is beyond our control.

Date: -

Signature of applicant including title and capacity in which application is made.

Contact no:

E-mail address:

Annexure III

(Authorization letter in favour of the applicant (other than Managing Director/ Proprietor/Partner) from the competent authority.)

FORMAT

(To be furnished in the Company's official letter pad with full address and contact no, E mail Address etc)

(TO WHOM IT MAY CONCERN)

This is to certify that Mr.(Name),
Employee of this Organisation as..... (Official Designation) is
Hereby authorised to submit tender online, Vide NIT No.....,
Dated on behalf of the Organisation.

Signature of the competent authority with Seal

.....

(Signature of the Authorised Person)

Signature of Mr.....

.....is hereby attested.

Signature of the competent authority with Seal

ANNEXURE IV

(Affidavit Proforma)

(To be furnished in Non – Judicial Stamp paper
of appropriate value duly notarized)

I, Sri/Smt.....

The Managing Director/Proprietor (etc.) of the Firm.
..... (Name of the firm)

At (address).....

Do hereby solemnly affirm and declare as follows:

1. That I have not ever been convicted of any offence making myself liable to be disqualified to supply of Chemicals / Equipments/other items to any Govt. or Govt. Undertaking Organization /Institution in the State of West Bengal or other State or States.
2. That no case is pending against me or against my firm in any criminal court of law to supply of Chemicals, Lab. Chemicals & Laboratory Equipments and other items to the Govt. or Govt. Undertaking Organization / Institution in the State of West Bengal or other State or States (If any case is pending, state the details).
3. That, I also declare that if any information subsequently found incorrect or false will it automatically render the tender submitted by me cancelled and make me liable for penal/legal action as per law of the country.
4. That my concern has not yet been declared bankrupt by any banking or money lending agency duly licensed by RBI nor has it been considered doubtful by any Government concern so far as the solvency of the organisation is concerned.
5. That I do further affirm that the statements made by me in this tender are true to the best of my knowledge and belief and all the documents attached are genuine & correct.

Deponent(s).

ANNEXURE V

DECLARATION ON NIT

(To be typed in company letter pad, scanned and uploaded)

I, the undersigned, do hereby declare that in respect of Tender Ref. No. **KU/NIET/CSE/LAN/2024-25/02 dated 11/12/2024**

- On behalf of my organization, I will comply all the formalities that are required to be complied as per NIT and I will observe all clauses of the NIT (including Terms & conditions).
- I shall comply the formalities on Warranty as laid down in the above Tender after accepting the Work Order for the tendered work.
- In case of any non-observance of any clause(s) of NIT, my organization will be bound to follow the decisions taken by the University of Kalyani for taking decision related with the tender for which the said NIT was uploaded.

Full signature of the Person
(Designation with Seal)

Date:

Place:

Validate

Print

Help

Item Rate BoQ

Tender Inviting Authority: CIRM , University of Kalyani

Name of Work: Renovation of LAN to the Computer Science and Engineering, University of Kalyani.

Contract No: KU/NIET/CSE/LAN/2024-25/02

| Name of the Bidder/ Bidding Firm / Company | | | | | | | | |
|---|---|----------|--------|--------------------------|---|--|-------------------------|-----------------------|
| PRICE SCHEDULE | | | | | | | | |
| (This BOQ template must not be modified/replaced by the bidder and the same should be updated after filling the relevent columns, else the bidder is liable to be rejected for this tender. Bidders are allowed to enter the Bidder Name and Values only) | | | | | | | | |
| NUMBER # | TEXT # | NUMBER # | TEXT # | NUMBER # | NUMBER | NUMBER | NUMBER # | TEXT # |
| Sl. No. | Item Description | Quantity | Units | Basic Rate per Unit (Rs) | GST Charges on Basic Rate Per Unit Rs. P | Other Charges in total (if any) Rs. P | TOTAL AMOUNT With Taxes | TOTAL AMOUNT In Words |
| 1 | 2 | 4 | 5 | 13 | 14 | 17 | 53 | 55 |
| 1 | Renovation of LAN to the Computer Science and Engineering, University of Kalyani. | | | | | | | |
| 1.01 | Managed Network Switch (As per Tender Specification) | 4.00 | Nos. | | | | 0.000 | INR Zero Only |
| 1.02 | OFC Transreceiver (As per Tender Specification) | 8.00 | Nos. | | | | 0.000 | INR Zero Only |
| 1.03 | Wi Fi Router (As per Tender Specification) | 7.00 | Nos. | | | | 0.000 | INR Zero Only |
| 1.04 | Network Rack (As per Tender Specification) | 3.00 | Box | | | | 0.000 | INR Zero Only |
| 1.05 | OFC Cable (As per Tender Specification) | 160.00 | Mtr | | | | 0.000 | INR Zero Only |
| 1.06 | OFC Pigtail (As per Tender Specification) | 12.00 | Nos. | | | | 0.000 | INR Zero Only |

| | | | | | | | | |
|------|---|---------|------|--|--|--|-------|---------------|
| 1.07 | LIU (As per Tender Specification) | 3.00 | Nos. | | | | 0.000 | INR Zero Only |
| 1.08 | Adaptor (As per Tender Specification) | 12.00 | Nos. | | | | 0.000 | INR Zero Only |
| 1.09 | Adaptor Pannel (As per Tender Specification) | 6.00 | Nos. | | | | 0.000 | INR Zero Only |
| 1.1 | OFC Patch Cord (As per Tender Specification) | 7.00 | Nos. | | | | 0.000 | INR Zero Only |
| 1.11 | UTP Patch Pannel (As per Tender Specification) | 3.00 | Nos. | | | | 0.000 | INR Zero Only |
| 1.12 | UTP Patch Cord (3 mtr.) (As per Tender Specification) | 35.00 | Nos. | | | | 0.000 | INR Zero Only |
| 1.13 | UTP Patch Cord (1 mtr.) (As per Tender Specification) | 72.00 | Nos. | | | | 0.000 | INR Zero Only |
| 1.14 | I/O-Back Box (As per Tender Specification) | 35.00 | Nos. | | | | 0.000 | INR Zero Only |
| 1.15 | UTP CABLE (As per Tender Specification) | 4.00 | Box | | | | 0.000 | INR Zero Only |
| 1.16 | RJ-45 CONNECTOR (As per Tender Specification) | 1.00 | Box | | | | 0.000 | INR Zero Only |
| 1.17 | UPS (As per Tender Specification) | 4.00 | Nos. | | | | 0.000 | INR Zero Only |
| 1.18 | OFC Patch Cord (As per Tender Specification) | 2.00 | No | | | | 0.000 | INR Zero Only |
| 1.19 | LAYING through PVC casing-capping TRUNKING | 1660.00 | Mtr | | | | 0.000 | INR Zero Only |

| | | | | | | | | |
|----------------------------|----------------------------|------|---------|--|--|--|--------------|---------------|
| 1.2 | INTEGRATION & INSTALLATION | 1.00 | Lumpsum | | | | 0.000 | INR Zero Only |
| Total in Figures | | | | | | | 0.000 | Zero Only |
| Noted Rate in Words | INR Zero Only | | | | | | | |